

SINK SPECIFICATIONS

Model 3018UM18, 9" bowl depth



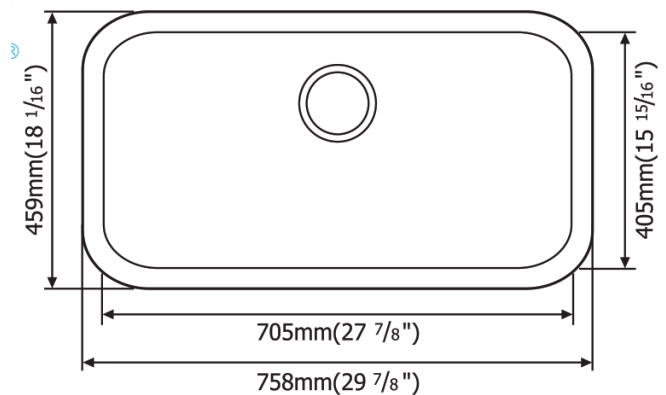
NOMINAL DIMENSIONS

Model 3018UM18 shown

FEATURES:

- * 18 gauge, 304 series stainless steel
- * Rear Drain Placement
- * Design allows for easy installation in standard 25" countertop
- * Sound deadening insulation and pads

OVERALL	BOWL DEPTH	DRAIN
29-7/8" x 18-1/16"	9"	3-1/2"



OPTIONAL ACCESSORIES
Stainless Steel Sink Grids: 3018GRID